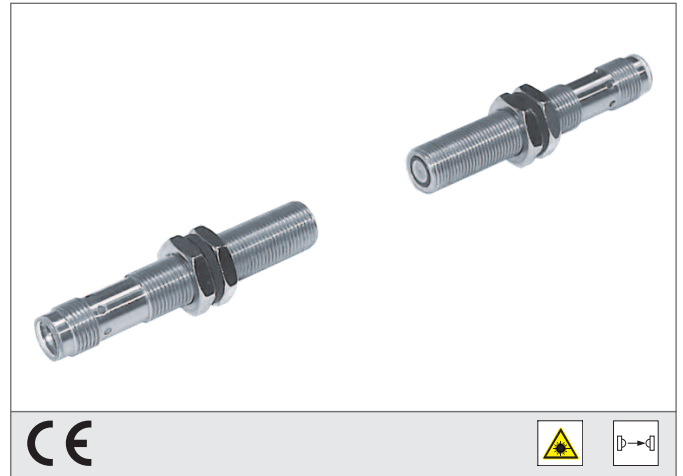


OLE 12 V 2000 N2K-IBSL

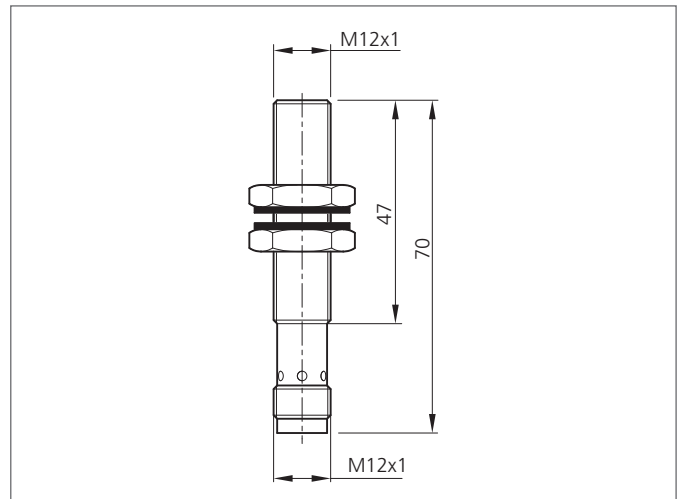
Laser Through Beam Sensor, Receiver

- Small design
- High resolution, switching accuracy, switching frequency
- Robust metal casing



Safety instructions

Inproper use may result in hazardous radiation exposure. Pay attention to accident prevention rules and laser class. The instruments are not to be used for safety applications, in particular applications in which safety of persons depends on proper operation of the instruments. These instruments shall exclusively be used by qualified personnel.



TECHNICAL INFORMATION (typ.)		+20°C, 24V DC
Operating principle		Through beam sensors, receiver, switching output
Evaluation		digital
Size		M12 x 1 (thread)
Design		screw
Service voltage		10 ... 35 V DC
Internal power consumption		< 30 mA
Operating distance		0 ... 2.000 mm
Resolution		Ø 0,5 mm
Sensitivity adjustment		no setting elements
Switching output		npn, 200 mA, NO
Switching hysteresis		< 0,1 mm
Voltage drop		< 2,5 V
Switching frequency		2.000 Hz
Reproducibility		< 0,1 mm
Ambient temperature		0 ... +50 °C
Ambient light immunity		5 kLx
Insulation voltage endurance		500 V
Protection class		IP 67
Protection degree		III, operation on protective low voltage
Casing material		stainless steel
Connection		Connector, M12, 3-poled